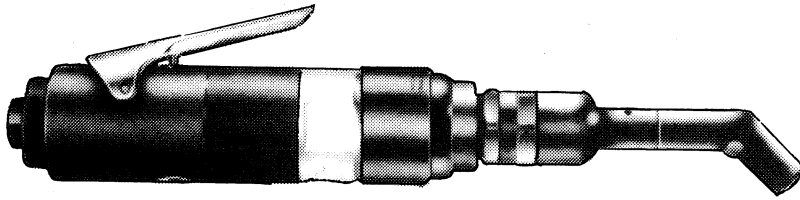
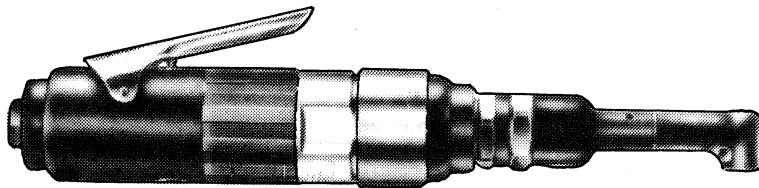


Aircraft Specialty Tools—Angle Drills

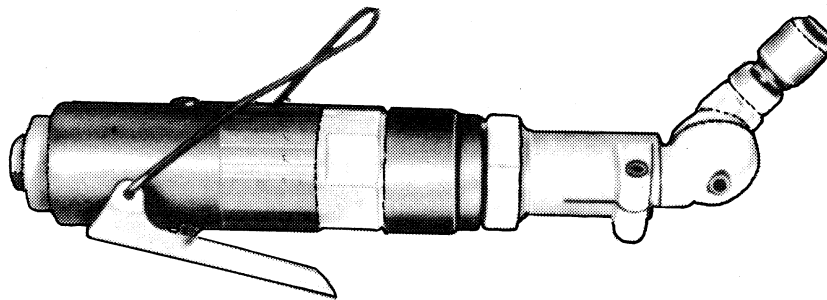
NEW



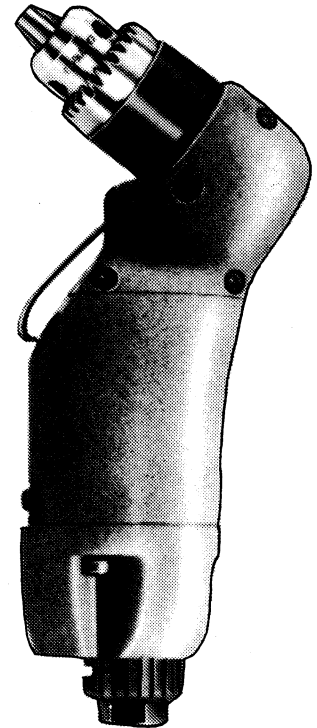
No. A1310-45



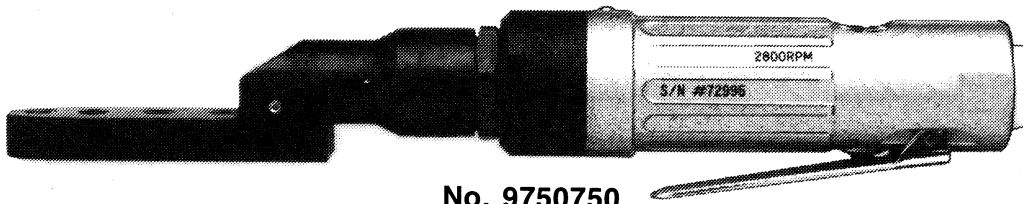
No. A1310-AH



No. 2L1380



No. 2S1310



No. 9750750
Flathead Drill

	R.P.M. No Load	H.P.	Cat. No.	Side To Center Inches	Spindle Thread (Female)	Hose Conn.	Min. Hose Size	Overall Length Ins.	Net. Wt. Tool Only Lbs. Oz.
Non-Reversible	2500	.33	A1310-45	21/64	1/4"-28	1/4"	1/4"	10-5/8	2-6
	5800	.80	2A1410-45	21/64	1/4"-28	1/4"	3/8"	11-15/16	2-12
	2500	.33	A1310-AH	21/64	1/4"-28	1/4"	1/4"	10-1/16	2-6
	5800	.80	2A1410-AH	21/64	1/4"-28	1/4"	3/8"	11-7/16	2-12
	2800	.33	9750750	7/16	1/4"-28	1/8"	1/4"	10-5/8	1-10
	5800	.80	2L1380	—	Cone Jaw	1/4"	3/8"	13-3/4	2-5
	2200	.50	2S1310	29/32	1/4 Chuck	1/4"	1/4"	3-9/16	2-10
	3500	.50	2S1410	29/32	1/4 Chuck	1/4"	1/4"	3-9/16	2-10