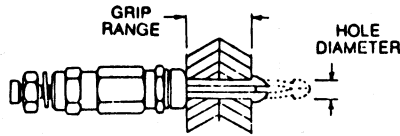


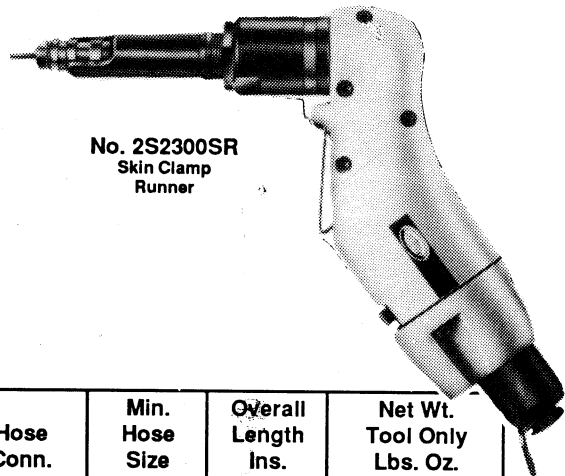
# POWER-OPERATED TEMPORARY FASTENERS



PART NO.	GRIP	HOLE DIA. (SIZE)				
		3/32	1/8	5/32	3/16	7/32, 1/4, 5/16
KHN-FW	0" to 1/2"					
KHNL-FW	0" to 1"					
KHNEL-FW	1/2" to 1-1/2"					
KHNK-FW	1-1/2" to 2-1/2"					

NOTE: QUANTITY DISCOUNT ABOVE 100 PIECES

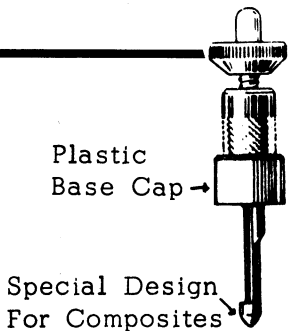
## POWER FASTENER GUNS



• Rapid reverse on  
02300SR Skin Clamp Runner

Description	Handle		R.P.M. No Load	Cat. No.	Side To Center Inches	Hose Conn.	Min. Hose Size	Overall Length Ins.	Net Wt. Tool Only Lbs. Oz.
Skin Clamp Runner	"S" Handle	Rev	2,200	2S2300SR	29/32	1/4"	1/4"	5-11/16	2-10
Skin Clamp Runner	Pistol	Rev	1,900	02300SR	29/32	1/4"	1/4"	9-1/8	2-9

## NO-MARK FASTENERS



SSL SERIES (Standard Length)

NUMBER	COLOR CODE	GRIP RANGE
SSL-3/32	RED	0" to 1/2"
SSL-1/8	YELLOW	0" to 1/2"
SSL-5/32	BLUE	0" to 1/2"

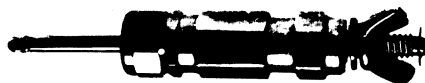
SEL SERIES (Extra Long)

NUMBER	COLOR CODE	GRIP RANGE
SEL-3/32	RED	0" to 1"
SEL-1/8	YELLOW	0" to 1"
SEL-5/32	BLUE	0" to 1"
SEL-3/16	BLACK	0" to 1"
SEL-1/4	WHITE	0" to 1"

OTHER SIZES AVAILABLE

PLASTIC BASE CAP NO PLIERS REQUIRED  
SUITABLE FOR COMPOSITE STRUCTURES

WING NUT FREE  
WHEELING HAND  
FASTENER



To be used on heavier materials for  
extra pressure. Available in various  
sizes and different grip ranges.

PART NO.	GRIP	SIZE					
		3/32	1/8	5/32	3/16	1/4	7/32, 5/16
KWN-FW	0" to 1/2"						
KWNL-FW	0" to 1"						
KWNEL-FW	1/2" to 1-1/2"						

NOTE: QUANTITY DISCOUNT ABOVE 100 PIECES